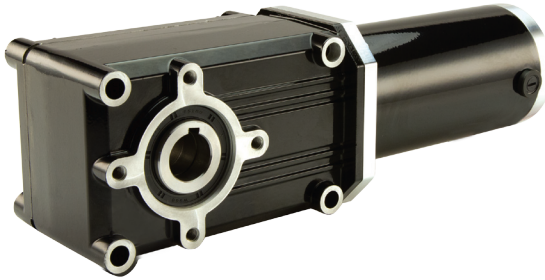


## Maximum Efficiency Right-angle Gearmotors

### 730 PMDC 90V

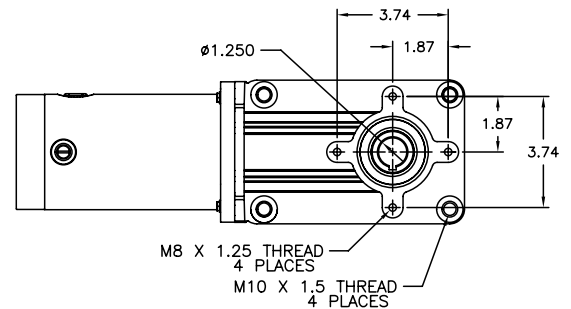
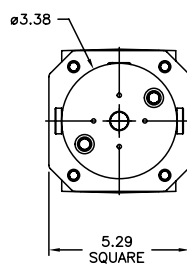
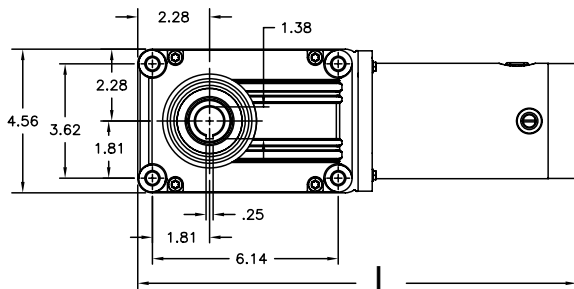


PowerSTAR® 730 Series PMDC 90V right-angle gearmotor offers up to 1662 in-lbs of torque running continuously for energy efficient operation in a sleek, compact profile. Uses a 32 Frame TENV PMDC motor with 36" cordset.

#### 730 Series PMDC 90V Gearmotor - TENV

| Part Number  | Speed (RPM) | Torque (in-lbs) | Input HP | Gear Ratio | OHL (lbs) | Amps |
|--------------|-------------|-----------------|----------|------------|-----------|------|
| 021-730D0010 | 210         | 79              | 1/3      | 10         | 465       | 3.5  |
| 021-730D0015 | 141         | 118             | 1/3      | 15         | 520       | 3.5  |
| 021-730D0020 | 106         | 158             | 1/3      | 20         | 565       | 3.5  |
| 021-730D0030 | 70          | 236             | 1/3      | 30         | 625       | 3.5  |
| 021-730D0040 | 53          | 315             | 1/3      | 40         | 675       | 3.5  |
| 021-730D0050 | 42          | 394             | 1/3      | 50         | 720       | 3.5  |
| 021-730D0060 | 35          | 472             | 1/3      | 60         | 760       | 3.5  |
| 021-730D0080 | 26          | 629             | 1/3      | 80         | 820       | 3.5  |
| 021-730D0100 | 18          | 692             | 1/4      | 100        | 910       | 3.0  |
| 021-730D0120 | 15          | 831             | 1/4      | 120        | 965       | 3.0  |
| 021-730D0150 | 12          | 1039            | 1/4      | 150        | 1010      | 3.0  |
| 021-730D0180 | 10          | 1246            | 1/4      | 180        | 1050      | 3.0  |
| 021-730D0240 | 7.5         | 1662            | 1/4      | 240        | 1120      | 3.0  |

See accessories on page 16



| L                     |       |
|-----------------------|-------|
| L = Gearmotor length: |       |
| 1/3 HP:               | 16.77 |
| 1/4 HP:               | 16.41 |

#### DC GEARMOTOR

|       |        |
|-------|--------|
| WHITE | +LINE  |
| BLACK | -LINE  |
| GREEN | GROUND |

To reverse rotation interchange white and black leads